



→ Passenger lift for midibuses, urban buses

DH-TV.03 • 300 kg



The **DH-TV 300 kg** is specially designed for **urban buses**, to assist wheelchair passengers to embark and disembark the vehicle in a comfortable and safe manner.

The lift is usually mounted at one of the side doors of the bus and occupies the space that is otherwise occupied by the access stair. In rest position, it takes the shape and function of the **access stair** and is used by pedestrians to step in & out of the bus. Upon deployment, the system is **automatically transformed into a lifting platform** and is used to assist wheelchair users to enter & exit the vehicle.

The DH-TV is available in 3 executions:

- a **STANDARD execution** and the **MICRO-lift** (option OWU005), both with automatic deployment of the lift platform;
- a **MANUAL execution** whereby the extension part of the platform is extended / retracted by hand.

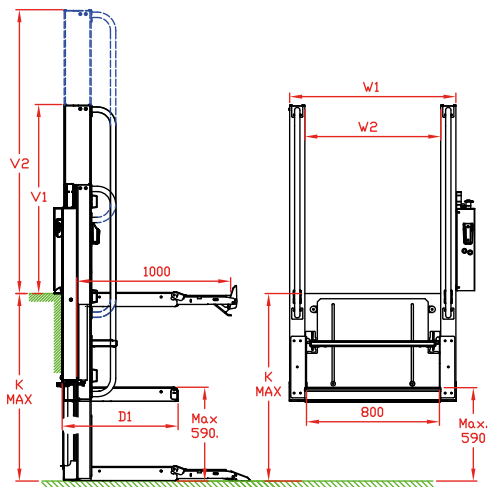
Lift capacity

CAP
300 kg

Weights [see pg. 15]

Steel construction	
Standard	185 kg
Micro	155 kg

From stair to lift platform in just 5 seconds



Fitting dimensions

Type	Standard	Micro	Manual
K max.	1185	1025	985
D1	730	630	580
V1	1135	1135	1135
V2	1735	1575	1575
W1	1050	1050	1110
W2	858	858	918

Technical specifications

Lift frame	2 lift columns in light-weight aluminium
Cylinders	2 lift cylinders with direct action on the lift system; no cables, chains or belts
Working principle	<ul style="list-style-type: none"> • Upper step articulates from horizontal to vertical position when the platform is deployed • Lower step incorporates a sliding platform, enabling to extend from a step to a wheelchair lift platform • On Standard and Micro models, the extension of the platform is automatic. On the Manual model, the extension part of the platform is manipulated by hand • Automatic roll-stop at the rear edge of the platform
Type of ride [see pg. 8-9]	Flat platform, level ride
Safety rails	2, fixed to the lift columns
Standard platform dimensions	1000 x 850 mm (*) Other dimensions on request.
Standard control unit	Control unit integrated in power pack
Standard finish of the lift frame	Columns in aluminium. Steel components in Protection PLUS [OAT102]

(*) Consult DHOLLANDIA re. CE conformity of the platform dimensions.