



→ Tail lift for factory built panel vans

## DH-P2.04 • 450 kg

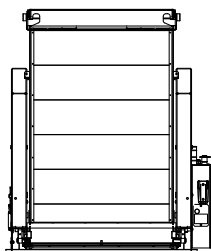


The DH-P2 is a fully automatic linear lift, suitable for mounting **inside the cargo space** of the vehicle. It can be mounted at the rear doors or at the side doors of a wide range of Multi Passenger vehicles and vans.

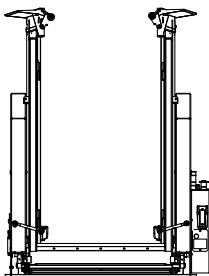
In comparison to the 1-arm model DH-P1, the reinforced construction with 2 lift arms provides additional lift capacity and maximum platform stability. It increases the stability of the load on the platform, and the safety of the operators.

The platform is **flat**, so that goods, such as roll-cages, white & brown goods, small machinery,...., can be loaded with minimal effort.

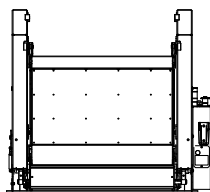
Standard



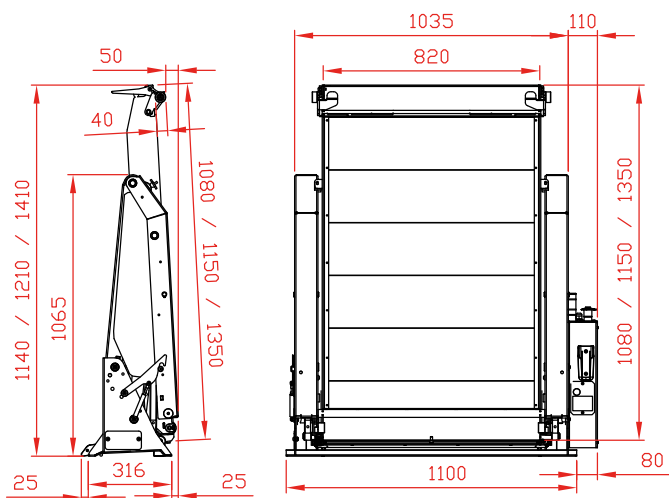
Option OWU001 / OWU002



Option OWU003



# Standard 450 kg internally mounted linear 2-arm lift



## Lift capacity

<b>CAP</b>	450 kg
<b>CG</b>	500 mm
<b>LM</b>	2.25 kNm

## Weights [see pg. 15]

Alu platform	
1350 x 820	137 kg
1150 x 820	133 kg
1080 x 820	131 kg
S953	+10 kg
S957	+6 kg

## Fitting dimensions

ARM	700
K max.	900

## Technical specifications

Lift frame	2 lift arms
Cylinders	2 lift cylinders
Type of ride [see pg. 8-9]	Flat platform, level ride
Platform material	Steel frame + aluminium profiles
Platform equipment	<ul style="list-style-type: none"> <li>Automatic roll-stop at the rear edge of the platform</li> <li>Automatic bridge plate and toe-guard at the front edge of the platform</li> </ul>
Standard platform depths	1080 - 1150 - 1350 mm Other depths on request (OWP002.L)
Standard platform widths	820 standard / 920 optional (OWP002.W)
Standard control unit [see pg. 10]	OAE001
Standard finish of the lift frame	Protection PLUS [OAT102]