



→ Passenger lift for midibuses and coaches

DH-CH.002-003 • 350 kg



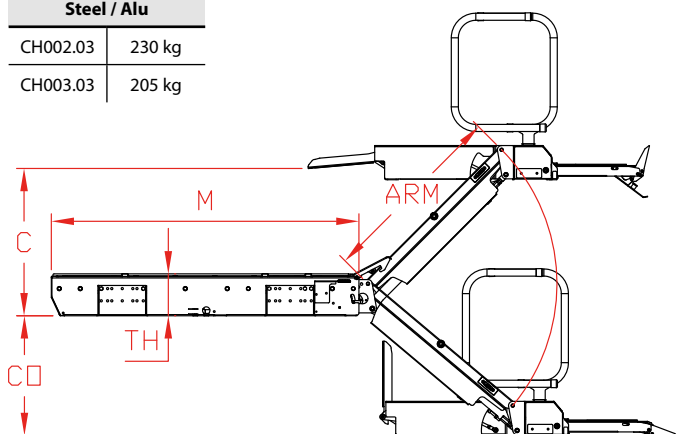
In comparison to the DH-CH100...103, the DH-CH002 and -CH003 are equipped with **extensible platforms**, significantly **reducing the required fitting space** under or inside the vehicle.

Both lifts are mounted below the floor or chassis of the vehicle, at the rear door or at the side door. The platform of the DH-CH002 is hydraulically extensible. The extension part of the DH-CH003 platform is extended / retracted by hand.

Short cassette lift with extensible platforms

Weights [see pg. 15]

| Steel / Alu | |
|-------------|--------|
| CH002.03 | 230 kg |
| CH003.03 | 205 kg |



Fitting dimensions

| Type | ARM | CAP | CO max. | TH | M | C min. | C max. | K max. |
|-------------|-----|-----|---------|-----|------|--------|--------|--------|
| CH002.03 | 900 | 350 | 570 | 200 | 1475 | 370 | 700 | 1270 |
| CH003.03.01 | 950 | 350 | 730 | 130 | 1500 | 190 | 350 | 1080 |
| CH003.03.02 | 950 | 350 | 730 | 130 | 1800 | 190 | 480 | 1210 |

Technical specifications

| | |
|------------------------------------|--|
| Lift frame | 2 lift arms |
| Cylinders | 2 lift cylinders |
| Retraction in / out | Electric motor + gear wheel system |
| Type of ride [see pg. 8-9] | Flat platform, level ride |
| Standard platform dimensions | 1200 x 800 mm (LxW) |
| Platform details | <ul style="list-style-type: none"> • Aluminium platform with anti-slip coating • Automatic roll-stop at the point • Automatic bridge plate to the vehicle floor |
| Safety rails | 2, left & right, folding manually |
| Standard control unit [see pg. 10] | OAE001 |
| Standard finish of the lift frame | KTL epoxy e-coating |