



→ Hydraulic ramp for vans, trucks, trailers and semi-trailers

DH-AC.10 • 1000 kg

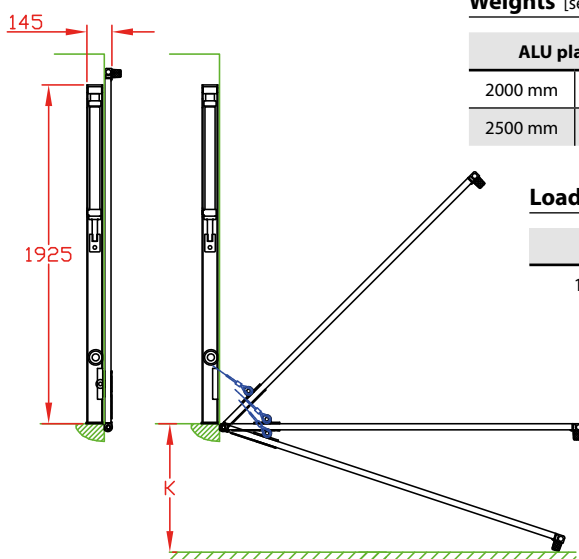


The DH-AC is a **light weight hydraulic ramp** with aluminium platform and superior aesthetic finish. As the closing mechanism is incorporated in 2 columns mounted in the door aperture of the vehicle body, no parts of the closing mechanism (springs, cylinders,...) are visible from the outside.

The DH-AC is traditionally used for the transport of horses or other animals. More recently, it is also being used for other applications, such as the collection of waste bins, the transport of garden equipment (small tractors, lawn mowers, ...).

For the transport of live animals, columns made of stainless steel are available (option OAT130).

Light hydraulic ramp with aluminium platform



Weights [see pg. 15]

ALU platform	
2000 mm	210 kg
2500 mm	235 kg

Load capacity

CAP
1000 kg

Technical specifications

Lift frame	2 vertical columns of 90x90 mm, mounted in the door aperture, against the frame of the body
Cylinders	2 cylinders (1 in each column)
Platform material	<ul style="list-style-type: none"> Aluminium, natural mill finish 3 hinge blocks, to be welded or bolted to the rear cross member of the vehicle floor
Standard platform depths	2000 - 2500 mm Other depths available on request (OAP302.A)
Standard platform widths	Variable per increments of 5 mm
Standard control unit [see pg. 11]	OAE030.BT
Standard finish of the lift frame	Protection PLUS [OAT102]