



→ Lift for vans, trucks, trailers and semi-trailers

## DH-VZG.01 • 150 kg



The DH-VZG is a safe and easy-to-use compact interior lift, designed to handle **small loads** (parcels, boxes, barrels, small machinery,...).

Option S970 is specially adapted for **gas bottles**. It includes a smaller platform and a bottle holder to secure the bottles in vertical position.

The DH-VZG is available with a fixed frame or an articulated frame (see right page).

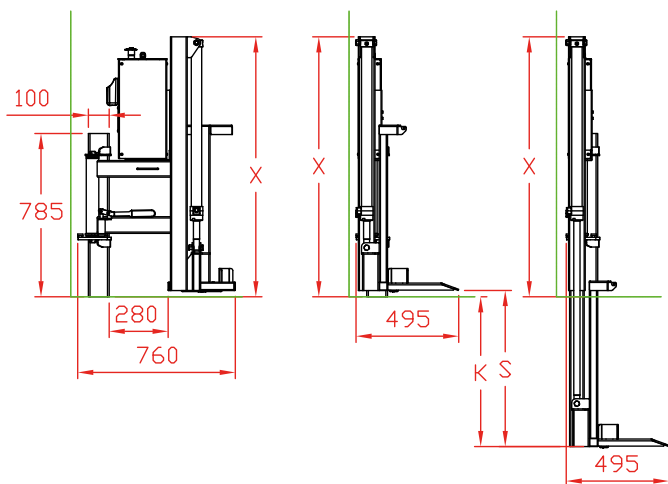
### Lift capacity

CAP
150 kg

### Weights [see pg. 15]

Steel platform	
Std.	70 kg

# Compact, simple lift for the smallest loads



## Fitting dimensions

<b>Stroke S</b>	<b>750</b>
K max.	725
X	1250

## Technical specifications

Lift frame	Single column with telescopic lift mechanism
Type 1: <b>fixed frame</b>	The platform travels straight up / down from its mounting position in the vehicle (only suitable for chassis with body, not for factory built panel vans)
Type 2: <b>articulated frame</b>	The platform can pivot from a travel position inside the vehicle to a work position outside the vehicle, then go up / down (can be fitted at the rear or side doors, suitable for factory built panel vans)
Cylinders	1 lift cylinder
Type of ride [see pg. 8-9]	Flat platform, level ride
Standard platform dimensions	<ul style="list-style-type: none"> <li>• 600x480 mm</li> <li>• Option S970 GAS lift: 315x340 mm</li> </ul>
Platform specifications	Flat platform for easy access, steel
Fitting	Single column, to be mounted to the vehicle floor and to the side of the vehicle body
Standard control unit [see pg. 10]	OAE001
Standard finish of the lift frame	Protection PLUS [OAT102]