



→ Slider lift for trucks, trailers and semi-trailers with demountable containers

DH-SO8.20 • 1500 - 2000 kg



Like the other DH-SO... lifts, the DH-SO8 is equipped with a **double folded platform**, to enable its installation in a **very short overhang**. Unlike the other types however, the platform of the DH-SO8 consists of 3 sections: a sturdy fixed steel section, which also forms the bumper; and 2 light-weight aluminium folding sections.

The DH-SO8 is specially designed for commercial vehicles with **BDF / AWL swap bodies**. The front edge of the platform can be equipped with an articulated bridge plate, allowing for flexible adjustment of the platform edge to varying body types and dimensions.

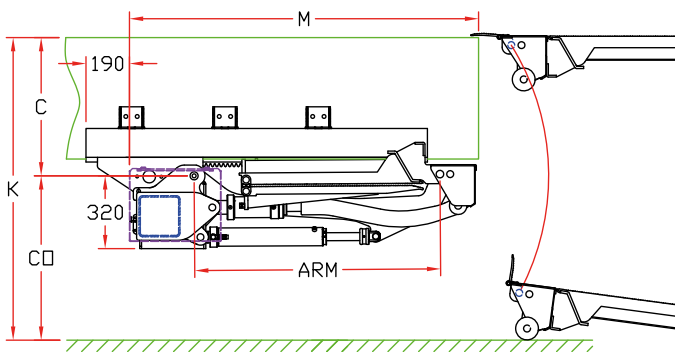
Lift capacity

CAP	CG	LM
1500 kg	750 mm	11.25 kNm
2000 kg	750 mm	15 kNm

Weights [see pg. 15]

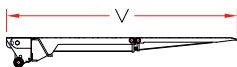
STEEL / ALU / ALU	
1600 mm	580 kg
1800 mm	600 kg

Double folded platform, for swap bodies & containers



Fitting dimensions

ARM	980	1080
K max.	1585	1685
C max.	780	880
CO max.	805	805
M	1420	1520
V max.	1800	1800



Technical specifications

Lift frame	180 x 180 mm
Cylinders	2 lift cylinders + 2 tilt cylinders
Retraction IN / OUT	Hydromotor + gear wheel system
Type of ride [see pg. 8-9]	Wedged platform. Level ride + automatic tilt at ground level
Platform material	Steel / Alu / Alu
Standard platform depths	1600 - 1800 mm
Standard platform widths	2300 mm Other widths on request (OAP603)
Lift arm lengths	980 - 1080 mm
Lift arm widths	1300 mm
Standard control unit [see pg. 11]	OAE030.BT
Standard finish of the lift frame	Hot-dip zinc plated finish [OAT104]