



→ Slider lift for light trucks, trailers and semi-trailers

## DH-SO.10 • 750 - 1000 kg



The DH-SO.10 is the lightest and most compact solution of the slider lift range.

- The 2 platform parts are made of light-weight aluminium, to **maximise the pay-load of the vehicle**, and make the manual (un) folding of the platform as easy as possible for the operator.
- The compact lift frame and double folded platform enable installation of this lift on vehicles with **very short overhang**.

The DH-SO.10 offers 750-1000 kg lift capacity, and is extremely suitable for light-duty trucks from 3,5 to 12T GVW, light trailers and semi-trailers. Special mounting kits are available for installation on van chassis.

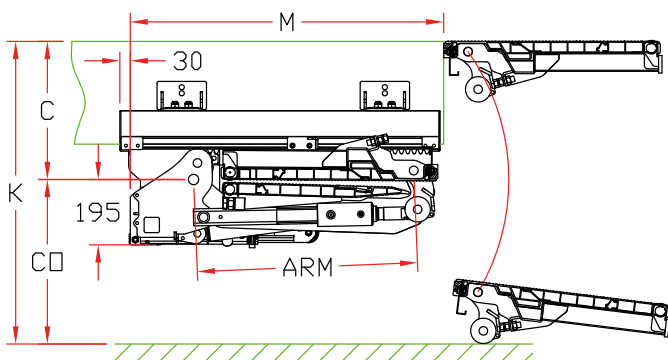
### Lift capacity

CAP	CG	LM
750 kg	600 mm	4.5 kNm
1000 kg	600 mm	6 kNm

### Weights [see pg. 15]

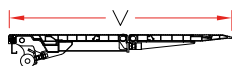
ALU / ALU platform	
1250x2200 mm	265 kg
1450x2200 mm	272 kg
1600x2200 mm	280 kg

# Lightest slider lift with double folded platform



## Fitting dimensions

ARM	650	750	850
K max.	1035	1180	1315
C max.	490	570	645
CO max.	545	610	670
M	910	1010	1110
V max.	1200	1400	1600



## Technical specifications

Lift frame	Compact lift frame 120 x 120 mm
Cylinders	2 lift cylinders + 2 fixed stabilisers [2 tilt cylinders as an option (S507)]
Retraction IN / OUT	Hydromotor + gear wheel system
Type of ride [see pg. 8-9]	Wedged platform. Level ride + automatic tilt at ground level
Platform material	Alu / Alu
Standard platform depths	1200 - 1400 - 1600 mm
Standard platform widths	2200 mm Other widths on request (OAP603)
Lift arm lengths	650 - 750 - 850 mm
Lift arm widths	420 - 1300 - 1420 mm
Standard control unit [see pg. 11]	OAE030.BT
Standard finish of the lift frame	Hot-dip zinc plated finish [OAT104]