



→ Slider lift for trucks, trailers and semi-trailers

DH-SM(R).30 • 2000 - 3000 kg



The DH-SM(R).30 is the **heavy duty slider lift**. Its robust lift mechanism, reinforced platform and hydraulic system are designed for intensive, heavy duty applications and “hostile environment” circumstances. It is ideal for the most demanding applications in the regular transport business, such as **supermarket & food distribution**.

In its travel position, the DH-SM.30 is **safely stored underneath the chassis of the vehicle**. It is ideal for operations needing frequent fork lift loading or access to loading docks, and all applications requiring quick and free access to the cargo space.

DHOLLANDIA's top of the range **4-cylinder** slider lift is available in 2 executions: the DH-SM.30 designed for **truck chassis** and the DH-SMR.30 designed for **quick-fitting on trailer and semi-trailer chassis**.

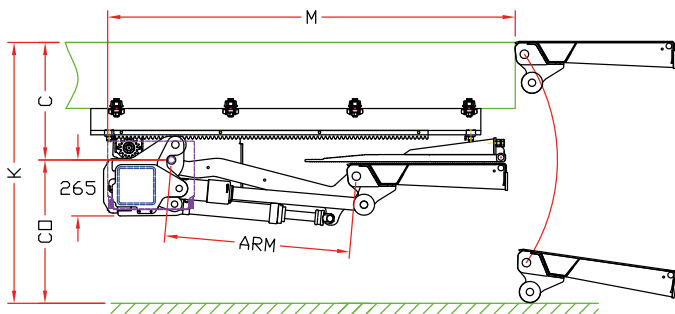
Lift capacity

CAP	CG	LM
2000 kg	1000 mm	20 kNm
2500 kg	1000 mm	25 kNm
3000 kg	1000 mm	30 kNm

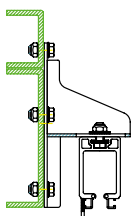
Weights [see pg. 15]

STEEL / ALU		ALU / ALU	
1700 mm	580 kg	1700 mm	530 kg
1800 mm	590 kg	1800 mm	540 kg

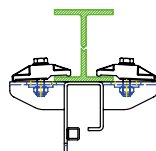
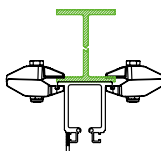
The most powerful slider lift, with single fold platform



Truck / DH-SM.30



Trailer / Semi-trailer / DH-SMR.30
Standard OAM032.A
Optional OAM032.S



Fitting dimensions

ARM		820	880	940	1000	1100	1200
K max.		1330	1420	1500	1590	1730	1870
C max.		680	730	780	820	900	980
CO max.		650	690	720	770	830	890
M	1700 mm platform	1830	1890	1950	2010	2110	2210
M	1800 mm platform	1930	1990	2050	2110	2210	2310
M	+ option OAP610	-100	-100	-100	-100	-100	-100

Technical specifications

Lift frame	180 x 180 mm
Cylinders	2 lift cylinders + 2 tilt cylinders
Retraction IN / OUT	Hydromotor + gear wheel system
Type of ride [see pg. 8-9]	Wedged platform. Level ride + automatic tilt at ground level
Platform material	Steel / Alu or Alu / Alu
Standard platform depths	1700 - 1800 mm Longer platforms on request (OAP602)
Standard platform widths	2300 - 2400 mm Other widths on request (OAP603)
Lift arm lengths	820 - 880 - 940 - 1000 - 1100 - 1200 mm
Lift arm widths	800 - 1300 - 1550 mm
Standard control unit [see pg. 11]	OAE030.BT
Standard finish of the lift frame	Hot-dip zinc plated finish [OAT104]