



→ Slider lift for trucks, trailers and semi-trailers

DH-SMP.20 • 1500 - 2000 kg



The new DH-SMP (launched 2014) can replace the standard DH-SM.20 to solve a number of mounting issues:

- It is equipped with a compact lift frame, that requires **130 mm less overhang** than a DH-SM.20 with equivalent platform.
- The new execution is equipped with a hydromotor + gearwheel system instead of a centrally mounted retraction cylinder, but its position is more favourable for a short-overhang situation than on the DH-SM.20. Hence the DH-SMP can be mounted around and **alongside the spring hangers** of vehicles with mechanical suspension, and **use the full overhang to the mudguard**.

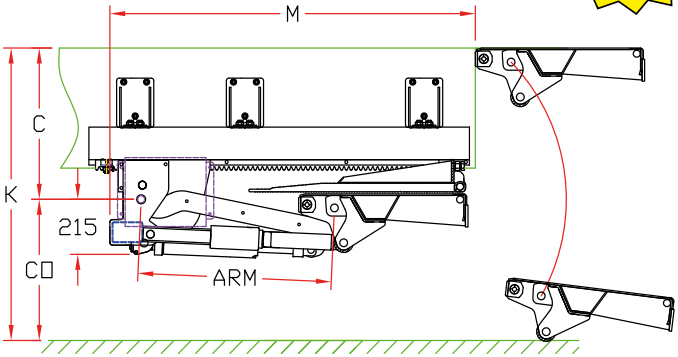
Lift capacity

CAP	CG	LM
1500 kg	750 mm	11.25 kNm
2000 kg	750 mm	15 kNm

Weights [see pg. 15]

STEEL / ALU		ALU / ALU	
1500 mm	460 kg	1500 mm	430 kg
1700 mm	480 kg	1700 mm	445 kg
1800 mm	490 kg	1800 mm	452 kg

Single fold platform with shorter overhang



Fitting dimensions

ARM		760	820	880	940	1000	1100
K max.		1215	1330	1410	1500	1585	1725
C max.		625	680	715	770	815	895
CO max.		590	650	695	730	770	830
M	1500 mm platform	1510	1570	1630	1690	1750	1850
M	1700 mm platform	1610	1670	1730	1790	1850	1950
M	+ option OAP610	-100	-100	-100	-100	-100	-100

Technical specifications

Lift frame	Compact lift frame for short overhang
Cylinders	2 lift cylinders + 2 tilt cylinders
Retraction IN / OUT	Hydromotor + gear wheel system
Type of ride [see pg. 8-9]	Wedged platform. Level ride + automatic tilt at ground level
Platform material	Steel / Alu or Alu / Alu
Standard platform depths	1500 - 1700 - 1800 mm Longer platforms on request (OAP602)
Standard platform widths	2100 - 2300 - 2400 mm Other widths on request (OAP603)
Lift arm lengths	760 - 820 - 880 - 940 - 1000 - 1100 mm
Lift arm widths	1300 - 1550 mm
Standard control unit [see pg. 11]	OAE030.BT
Standard finish of the lift frame	Protection PLUS [OAT102]