



→ Slider lift for trucks & semi-trailers

DH-SKS2.20 • 1500 - 2000 kg



The DH-SKS2.20 is a special execution of the flat platform level-ride slider lift, with the following benefits:

- reduced proper weight of the lift, **increased pay-load for the vehicle**
- **reduced overhang** / fitting space

The DH-SKS2.20 is available with a hot-dip zinc plated steel platform, or with a light-weight aluminium platform.

The rear and side loading ramps on the platform can be raised in vertical position to serve as load restraints; or flipped over 180° to serve as access ramp.

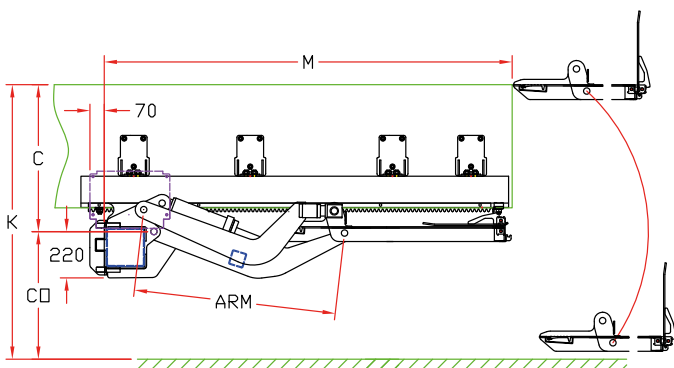
Lift capacity

CAP	CG	LM
1500 kg	750 mm	11.25 kNm
2000 kg	750 mm	15 kNm

Weights [see pg. 15]

Steel platform	
1300 mm	630 kg

Lighter weight flat platform slider lift



Fitting dimensions

ARM		900
K max.		1410
C max.		725
CO max.		685
M - SKS2.20.01	1300 mm platform	2100

Technical specifications

Lift frame	SKS2.20.01: 180 x 180 mm
Cylinders	2 lift cylinders + 2 fixed stabilisers
Retraction IN / OUT	Hydromotor + gear wheel system
Type of ride [see pg. 8-9]	Flat platform, level ride
Standard platform depths	1300 mm in 1 piece
Platform width PB / arm width CA	PB=2450 CA=2280
Lift arm lengths	900 mm
Standard control unit [see pg. 11]	OAE030.BT
Standard finish of the lift frame	Protection PLUS [OAT102]