



→ Slider lift for trucks & semi-trailers

DH-SK(S).20 • 1500 - 2000 kg



The DH-SK(S).20 combines the advantages of a column lift with those of a slider lift. From the first, it inherited the **flat, level-ride platform**, which is ideal to load and unload **roll-cages**, and cargo that could be unstable on the platform. (Conventional slider lift are equipped with a wedge platform, so that wheeled loads have a tendency to roll-off; and tall top-heavy loads risk to tip-over).

The sliding mechanism of the latter safely stores the platform away underneath the chassis of the vehicle, **eliminating almost completely the risk of impact damage** when reversing into the loading docks (which is a genuine concern in the case of column lifts).

Most DH-SK are supplied with rear and side loading ramps, which can be raised in vertical position to serve as load restraints; or flipped over 180° to serve as access ramp.

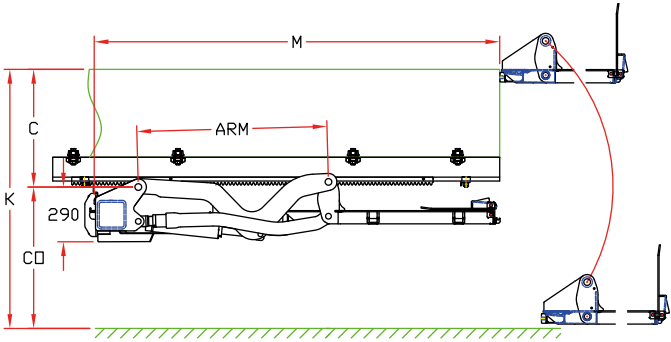
Lift capacity

CAP	CG	LM
1500 kg	750 mm	11.25 kNm
2000 kg	750 mm	15 kNm

Weights [see pg. 15]

Steel platform	
1300 mm	670 kg
1500 mm	670 kg
1700 mm	685 kg

Ideal for roll cages: flat “column lift” style platform



Fitting dimensions

ARM		900	1000
K max.		1350	1525
C max.		560	640
CO max.		790	885
M - SK(S).20.03	1300 mm platform	2250	2350
M - SK(S).20.04	1300 mm platform	-125 (1)	-125 (1)

(1) 125 mm shorter overhang possible with frame type SKS.20.4 instead of SKS.20.3.

Technical specifications

Lift frame	<ul style="list-style-type: none"> • Standard SK(S).20.03: tube 180 x 180 mm • Compact SK(S).20.04: special frame
Cylinders	<ul style="list-style-type: none"> • SK...: 2 lift cylinders + 2 tilt cylinders • SKS...: 2 lift cylinders + 2 fixed stabilisers
Retraction IN / OUT	Hydromotor + gear wheel system
Type of ride [see pg. 8-9]	Flat platform, level ride
Standard platform depths	<ul style="list-style-type: none"> • 1300 mm in 1 piece • 1500 - 1700 mm as foldable platform
Platform width PB / arm width CA	SK(S).20.03: PB=2350 CA=2250 • PB=2450 CA=2350 • PB=2550 CA=2450 SKS.20.04: PB=2350 CA=2250 • PB=2450 CA=2350
Lift arm lengths	900 - 1000 mm
Standard control unit [see pg. 11]	OAE030.BT
Standard finish of the lift frame	Hot-dip zinc plated finish [OAT104]