



→ Slider lift for vans and light trucks

DH-SC.04 • 400 kg



The **CITY SLIDER lift** DH-SC.04 is specially designed for mounting on van chassis and light commercial trucks.

In its travel position, the platform is safely stored underneath the chassis of the vehicle, and the driver has free access to the cargo space inside the vehicle body.

In its work position, the platform offers sufficient work surface to manipulate roll-cages, white and brown goods, parcels, etc...

Thanks to its low weight and high flexibility, the DH-SC.04 is ideal for the **urban distribution**.

To keep this lift light, simple and budget friendly, the retraction of the platform is done by hand.

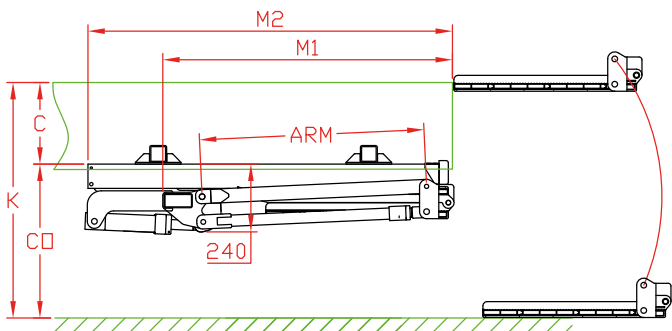
Lift capacity

CAP	CG	LM
400 kg	500 mm	2 kNm

Weights [see pg. 15]

ALU / ALU platform	
1400x860 mm	150 kg

City Slider lift with manual retraction



Fitting dimensions

ARM	800 standard
K max.	1100
C max.	400
CO max.	700
M1	1040
M2	1300



Technical specifications

Lift frame	100 x 50 mm
Cylinders	2 lift cylinders + 2 fixed stabilisers
Retraction IN / OUT	Manual
Type of ride [see pg. 8-9]	Flat platform, level ride
Platform material	Steel frame + aluminium profiles
Standard platform depths	1400 mm Other platform depths on request
Standard platform widths	860 - 1100 mm
Lift arm lengths	800 mm
Lift arm widths	930 mm (platform width 860) 1170 mm (platform width 1100)
Standard control unit	2-button control integrated in the pump unit
Standard finish of the lift frame	Protection PLUS [OAT102]