



→ Fold-away lift for light commercial vehicles

## DH-RP.06 • 600 kg



The **DH-RP.06 600 kg** is the lightest lift of a new generation of efficiently designed, **light weight**, yet very strong fold-away tail lifts. These DH-RP lifts are equipped with a full aluminium platform, and feature a **half-dip platform ride** from the vehicle floor to the ground.

In its travel position, the DH-RP.06 is safely stored underneath the chassis of the vehicle. It is ideal for operations needing frequent fork lift (un)loading or access to loading docks, and offers free access to the cargo space at all times. It is **very easy to use**, and has **minimal impact on the vehicle pay-load**; hence it is ideal for the occasional use and for rental fleets.

The DH-RP.06 is designed for utility and commercial vehicles up to 7.5T GVW.

### Lift capacity

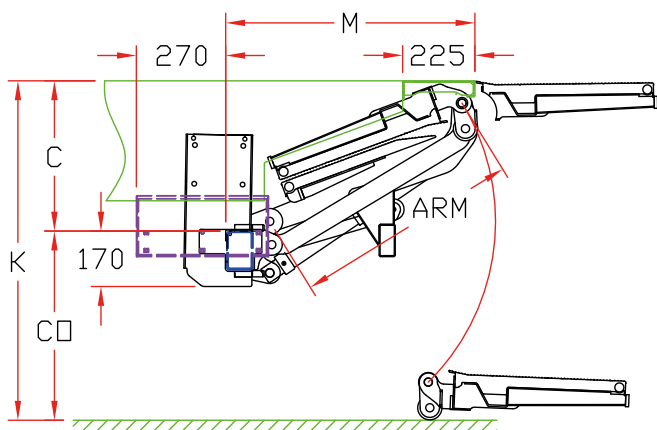
CAP	CG	LM
600 kg	600 mm	3.6 kNm

### Weights [see pg. 15]

ALU / ALU platform	
950x1500 mm	150 kg
1050x1500 mm	165 kg

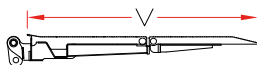
Weights incl. CE bumper

# The lightest and most compact of fold-away lifts



## Fitting dimensions

ARM		700
K max.		1050
K min. loaded	V = 950 / 1050	770 / 820
C max.		465
C min.	V = 950 / 1050	300 / 350
CO max.		585
M	at C max.	765
M	at C min. for V = 950 / 1050	860 / 840
V max.		1050



## Technical specifications

Lift frame	120 x 80 mm
Cylinders	1 lift cylinder + 2 fixed stabilisers
Type of ride [see pg. 8-9]	Half dip ride, progressive inclination while lifting / lowering
Platform material	Alu / Alu
Standard platform depths	950 - 1050 mm
Standard platform widths	1500 - 2000 mm Other widths on request (option OAP303)
Lift arm lengths	700 mm
Lift arm widths	565 mm
Mounting	<ul style="list-style-type: none"> <li>• Flat floor extension plate (OAM004)</li> <li>• Cranked floor extension plate (OAM005)</li> </ul>
Standard control unit [see pg. 11]	OAE030.BT
Standard finish of the lift frame	Hot-dip zinc plated finish [OAT104]