



→ Side mounted fold-away lift for trucks, trailers & semi-trailers

DH-REK.10 • 1000 kg



The DH-REK is a bespoke fold-away lift, adapted for **fitting at the side** of commercial vehicles. It enables to load and unload merchandise through the side doors of the body.

The solid arm construction with 1 central lift cylinder guarantees maximum platform stability. The platform is equipped with automatic tilt at ground level.

The relatively short platforms are more recommended for roll cages and parcels, than for pallet work.

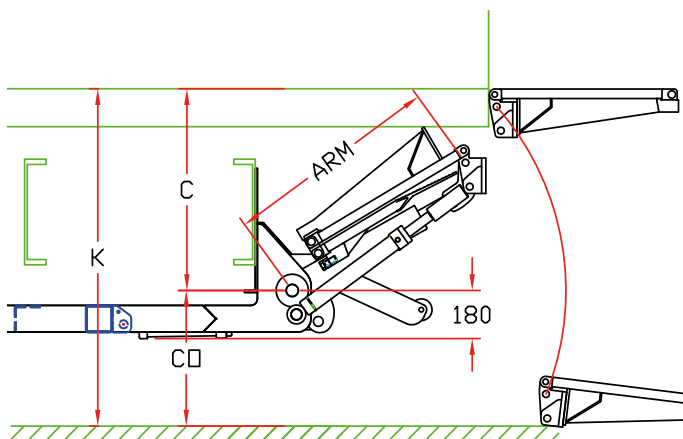
Lift capacity

CAP	CG	LM
1000 kg	600 mm	6 kNm

Weights [see pg. 15]

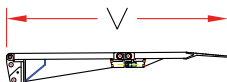
ALU / ALU	
1100 mm	425 kg
1400 mm	440 kg

For use at the side doors



Fitting dimensions

ARM		940	1020
K max.		1350	1410
C max.		680	705
C min.		study req.	
CO max.		670	720
M	at C max.	study req.	
M	at C min.	study req.	
V max		1100	1400



Technical specifications

Lift frame	Custom made lift frame, adapted for side mounting on vehicle chassis
Cylinders	<ul style="list-style-type: none"> • 1 central lift cylinder • 2 double acting tilt cylinders (partially hydraulic deployment of the platform)
Type of ride [see pg. 8-9]	Wedged platform, level ride with automatic tilt at ground level
Platform material	Alu / Alu
Standard platform depths	1100 - 1400 mm
Standard platform widths	1400 mm. Other widths (max. 1600mm) on request (OAP603)
Lift arm lengths	940 - 1020 mm
Lift arm widths	580 mm
Standard control unit [see pg. 11]	OAE030.BT
Standard finish of the lift frame	Protection PLUS [OAT102]