



→ Fold-away lift for light commercial vehicles

DH-RC(C).10 • 750 - 1000 kg



The DH.RC.10 is DHOLLANDIA's best seller in the light duty fold-away lift range. In comparison to the DH-RP, this lift is equipped with a wedged platform, offering a **level ride from the vehicle floor to the ground** (and vice versa), including **automatic tilt at ground level**.

In its travel position, the DH-RC.10 is safely stored underneath the chassis of the vehicle. It is ideal for operations needing frequent fork lift (un)loading or access to loading docks, and offers free access to the cargo space at all times. It is **very easy to use**, and has **minimal impact on the vehicle pay-load**; hence it is ideal for the occasional use and for rental fleets.

There are 2 executions: the DH-RC.10 with fixed stabilisers and the DH-RCC.10 with tilt cylinders and **adjustable platform orientation**.

Lift capacity

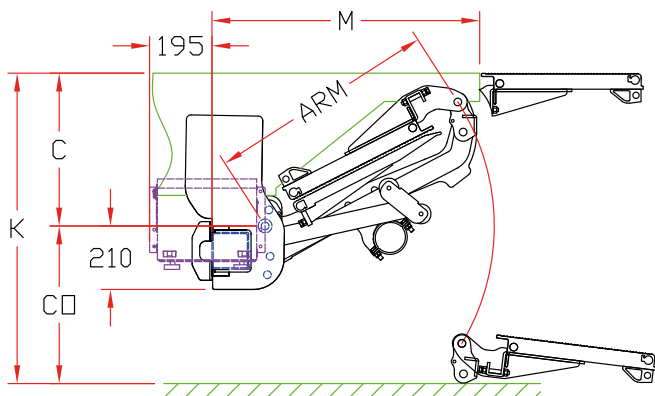
CAP	CG	LM
750 kg	600 mm	4.5 kNm
1000 kg	600 mm	6 kNm

Weights [see pg. 15]

ALU / ALU platform	
1080 mm	275 kg
1280mm	285 kg

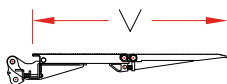
Weights incl. CE bumper

Light fold-away lift with level-ride platform



Fitting dimensions

ARM		750	850
K max.		1180	1310
K min. loaded		900	1000
C max.		580	660
C min.		350	400
CO max.		600	650
M	at C max.	810	895
M	at C min.	980	1070
V max.		1080	1280



Technical specifications

Lift frame	120 x 120 mm
Cylinders	1 lift cylinder + 2 tilt cylinders (DH-RCC) or 2 fixed stabilisers (DH-RC)
Type of ride [see pg. 8-9]	Wedged platform, level ride with automatic tilt at ground level
Platform material	Alu / Alu
Standard platform depths	1080 - 1280 mm
Standard platform widths	2000 - 2200 mm Other widths on request (option OAP303)
Lift arm lengths	750 - 850 mm
Lift arm widths	600 mm
Mounting	<ul style="list-style-type: none"> • With floor plate (option OAM003) • Adapted for refrigerated floor (option S409)
Standard control unit [see pg. 11]	OAE030.BT
Standard finish of the lift frame	Protection PLUS [OAT102]