



→ Fold-away lift for trucks, trailers & semi-trailers

DH-RC.15 • 1000 - 1500 kg



The DH-RC.15 is the ideal fold-away lift for **medium-duty** commercial vehicles. It is equipped with a wedged platform, offering a **level ride from the vehicle floor to the ground** (and vice versa), including **automatic tilt at ground level**.

In its travel position, the DH-RC.15 is safely stored underneath the chassis of the vehicle. It is ideal for operations needing frequent fork lift loading or access to loading docks, and all applications requiring quick and free access to the cargo space. The relatively short platforms of fold-away lifts are more recommended for roll cages, white and brown goods, parcels, etc... than for pallet work.

The DH-RC.15 is only available with fixed stabilisers, not with tilt cylinders. In standard configuration, its operation is gravity-down. **Power-down** (double acting descend) is available as an option for the harshest winter conditions (option OAH025.1).

Lift capacity

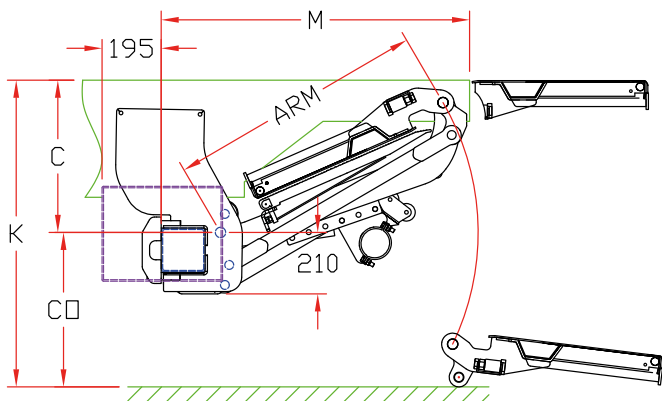
CAP	CG	LM
1000 kg	600 mm	6 kNm
1500 kg	600 mm	9 kNm

Weights [see pg. 15]

ALU / ALU		STEEL / ALU	
1250mm	358 kg	1250mm	395 kg
1450 mm	368 kg	1450 mm	415 kg

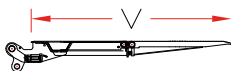
Weights incl. CE bumper

Medium capacity fold-away lift



Fitting dimensions

ARM		880	980
K max.		1385	1510
K min. loaded		1010	1105
C max.		745	860
C min.		450	450
CO max.		640	650
M	at C max.	870	905
M	at C min.	1120	1230
V max.		1250	1450



Technical specifications

Lift frame	150 x 150 mm
Cylinders	1 lift cylinder + 2 fixed stabilisers
Type of ride [see pg. 8-9]	Wedged platform, level ride with automatic tilt at ground level
Platform material	Steel / Alu • Alu / Alu
Standard platform depths	(1150) - 1250 - 1450 mm
Standard platform widths	2000 - 2200 mm Other widths on request (option OAP603)
Lift arm lengths	880 - 980 mm
Lift arm widths	500 mm
Mounting	<ul style="list-style-type: none"> • With floor plate (option OAM003) • Adapted for refrigerated floor (option S409)
Standard control unit [see pg. 11]	OAE030.BT
Standard finish of the lift frame	Protection PLUS [OAT102]