



→ Passenger lift for coaches

DH-RB.05 • 350-500 kg



The **fold-away** lift DH-RB is specially designed for coaches, to help wheelchair passengers to embark and disembark the vehicle in a comfortable and safe manner.

In its travel position, this lift is neatly folded away in the **area below the door exit on the upper aisle** of the coach.

Upon deployment, the platform is first lowered to the ground, then unfolded into work position.

The standard model is mounted directly under the vehicle door. As an option, it can be equipped with a **side-shift frame** (option S981), making it suitable for coaches where the door position is offset from the fitting space of the lift.

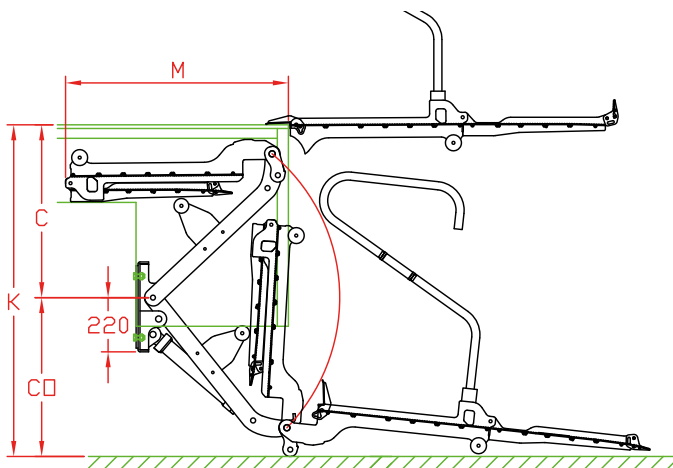
Lift capacity

CAP
350 kg
500 kg

Weights [see pg. 15]

Alu / Alu	
1380 mm	175 kg +

Powerful fold-away lift for the heaviest wheelchairs



Fitting dimensions

ARM	760	820	880	940	1000
K max.	1410	1510	1610	1710	1810
C max.	on request - ask for study drawing				
CO max.	on request - ask for study drawing				
M (platform)	± 915				

Technical specifications

Lift frame	Base plate to be bolted to the vehicle chassis
Cylinders	<ul style="list-style-type: none"> • 1 central lift cylinder for max. platform stability • 2 fixed stabilisers for the platform orientation
Type of ride [see pg. 8-9]	Wedged platform. Level ride + automatic tilt at ground level
Platform details	<ul style="list-style-type: none"> • Aluminium platform with anti-slip surface • Manual unfolding of the platform and its point • Automatic roll-stop at the point • Automatic roll-stop at the front edge as an option (S980)
Safety rails	2, left & right, folding manually
Standard platform dimensions	1380 x 800 mm (LxW) Other dimensions on request
Lift arm lengths	760 - 820 - 880 - 940 - 1000 mm
Standard control unit [see pg. 10]	OAE001
Standard finish of the lift frame	Protection PLUS [OAT102]