



→ Tail lift for factory built panel vans

DH-P1.03 • 300 kg



The DH-P1 is a **linear 1-arm lift**, suitable for mounting inside the rear or side doors of a wide range of Multi Passenger Vehicles and vans.

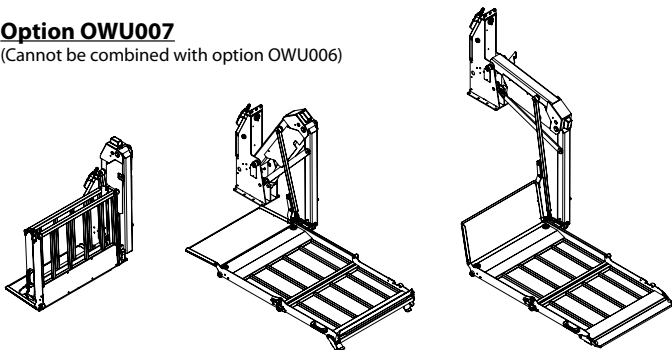
In its standard configuration, the DH-P1 has its travel position just inside the doors of the vehicle. As an option, it can be equipped with an **articulated frame**, that allows to stow the platform against the side of the body, keeping the access through the vehicles doors free.

The platform is **flat**, so that goods, such as roll-cages, white & brown goods, small machinery,..., can be loaded with minimal effort.

The DH-P1 can be mounted at the rear doors or at the side door; at the left or right side in the door aperture.

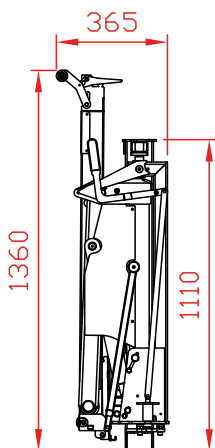
Option OWU007

(Cannot be combined with option OWU006)

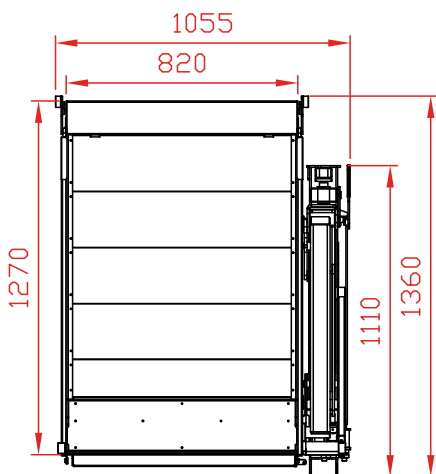


Step-in model, easy to use and flexible

OWU006 in travel position
mounted right side



OWU006 in work position
mounted right side



Lift capacity

CAP	CG	LM
300 kg	500 mm	1.5 kNm

Weights [see pg. 15]

	Standard	OWU006
	1260 mm	123 kg
		139 kg

Fitting dimensions

ARM	600	700
K max.	700	950

Technical specifications

Lift frame	<ul style="list-style-type: none"> • 1 lift arm • Standard = fixed frame: the closed platform stands in the door aperture • Option OWU006 = articulated frame: the platform can be stowed in a travel position against the side of the body
Cylinders	1 lift cylinder
Type of ride [see pg. 8-9]	Flat platform, level ride
Platform material	Steel frame + aluminium profiles
Platform equipment	<ul style="list-style-type: none"> • Automatic roll-stop at the rear edge of the platform • Automatic bridge plate and toe-guard at the front edge of the platform
Standard platform depths	1080 - 1170 - 1260 mm Other depths on request (OWP002.L)
Standard platform widths	820 standard / 720 optional (OWP002.W)
Standard control unit [see pg. 10]	OAE001
Standard finish of the lift frame	Protection PLUS [OAT102]