



→ Scissor lift for step deck trailers

## DH-H • 8000 kg



The **scissor lift** DH-H has a lift capacity of 8.000 kg and is specially designed to **load / unload the upper deck of step-deck trailers**.

The scissor itself is made at 800 mm width, but is equipped by a full-width loading table by the body builder, according to the required dimensions and surface finish.

Often, the loading floor and scissor lift deck of such semi-trailers are equipped with pneumatically lifted roller beds, for the manipulation of air-freight containers.

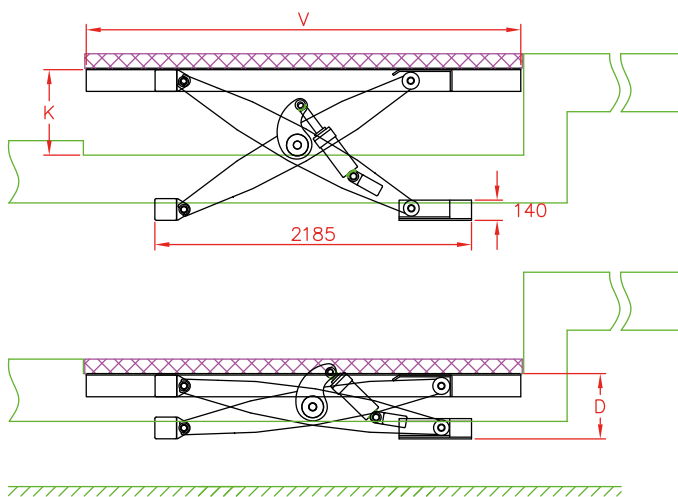
### Lift capacity

CAP
8000 kg

### Weights [see pg. 15]

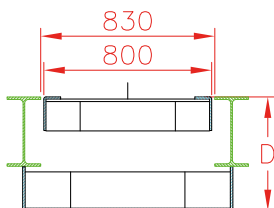
Alu platform	
Scissor	850 kg

# The solution for step-deck trailers



## Fitting dimensions

K max.	600 mm
D min.	450 mm



## Technical specifications

Lift frame	<ul style="list-style-type: none"> <li>• 1 fixed mounting tube + 1 roller bed to be mounted on the underside of the chassis I beams.</li> <li>• Top loading table to be manufactured by the chassis manufacturer.</li> </ul>
Cylinders	2 heavy duty lift cylinders
Scissor material	Steel
Scissor lift dimensions	800 x 3200 mm (W x L)
Maximum lift height	600 mm
Standard control unit [see pg. 10]	OAE001
Standard finish of the lift frame	2K primer