



→ Slider lift for trucks, trailers and semi-trailers

DH-SM(R).20 • 1500 - 2000 kg



The DH-SM(R).20 is the **top seller slider lift in the medium capacity range**. This versatile lift is able to handle various types of cargo, including pallets, up to max. 2000 kg.

In its travel position, the DH-SM.20 is **safely stored underneath the chassis of the vehicle**. It is ideal for operations needing frequent fork lift loading or access to loading docks, and all applications requiring quick and free access to the cargo space.

There are 2 executions: the DH-SM.20 designed for **truck chassis** and the DH-SMR.20 designed for **quick-fitting on trailer and semi-trailer** chassis.

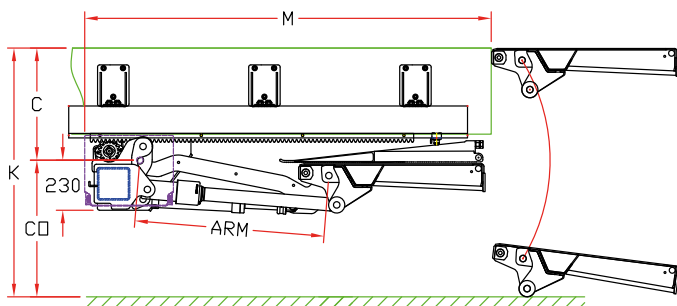
Lift capacity

| CAP | CG | LM |
|---------|--------|-----------|
| 1500 kg | 750 mm | 11.25 kNm |
| 2000 kg | 750 mm | 15 kNm |

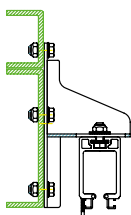
Weights [see pg. 15]

| STEEL / ALU | | ALU / ALU | |
|-------------|--------|-----------|--------|
| 1500 mm | 475 kg | 1500 mm | 445 kg |
| 1700 mm | 495 kg | 1700 mm | 460 kg |
| 1800 mm | 505 kg | 1800 mm | 467 kg |

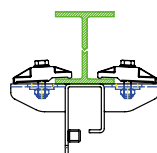
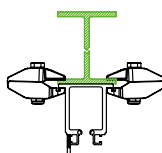
Medium-duty 4-cylinder slider lift single fold platform



Truck / DH-SM.20



Trailer / Semi-trailer / DH-SMR.20
Standard OAM032.A
Optional OAM032.S



Fitting dimensions

| ARM | | 760 | 820 | 880 | 940 | 1000 | 1100 |
|---------|------------------|------|------|------|------|------|------|
| K max. | | 1215 | 1330 | 1410 | 1500 | 1585 | 1725 |
| C max. | | 625 | 680 | 715 | 770 | 815 | 895 |
| CO max. | | 590 | 650 | 695 | 730 | 770 | 830 |
| M | 1500 mm platform | 1640 | 1700 | 1760 | 1820 | 1880 | 1980 |
| M | 1700 mm platform | 1740 | 1800 | 1860 | 1920 | 1980 | 2080 |
| M | + option OAP610 | -100 | -100 | -100 | -100 | -100 | -100 |

Technical specifications

| | |
|------------------------------------|---|
| Lift frame | 150 x 150 mm |
| Cylinders | 2 lift cylinders + 2 tilt cylinders |
| Retraction IN / OUT | Hydromotor + gear wheel system |
| Type of ride [see pg. 8-9] | Wedged platform. Level ride + automatic tilt at ground level |
| Platform material | Steel / Alu or Alu / Alu |
| Standard platform depths | 1500 - 1700 - 1800 mm Longer platforms on request (OAP602) |
| Standard platform widths | 2100 - 2300 - 2400 mm Other widths on request (OAP603) |
| Lift arm lengths | 760 - 820 - 880 - 940 - 1000 - 1100 mm |
| Lift arm widths | 800 (SMR only) - 1300 - 1550 mm |
| Standard control unit [see pg. 11] | OAE030.BT |
| Standard finish of the lift frame | Hot-dip zinc plated finish [OAT104] |