



→ Cantilever lift for trucks, trailers and semi-trailers

DH-LM.30 • 1500 - 3000 kg



The cantilever lift DH-LM.30 is a **powerful lift** for intensive, heavy duty tasks and “hostile environment” circumstances. It is ideal for the most demanding applications in the regular transport business, such as **supermarket & food distribution**.

The robust frame with reinforced articulation pins and larger cylinders is primarily designed for lift capacities of 2500 to 3000 kg, but is also available as upgraded 1500-2000 kg version.

The DH-LM.30 can be equipped with very long platforms (3000 mm long and even longer foldable platforms), hence it can easily form the rear closure of the vehicle body. The **DH-LMR** launched in 2014, is a quick-fit system with bolt-on clamps for trailer and semi-trailer chassis.

Lift capacity

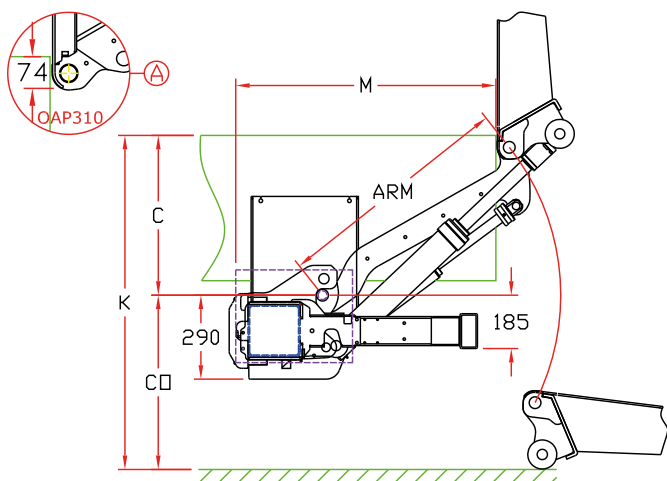
CAP	CG	LM
1500 kg	1000 mm	15 kNm
2000 kg	1000 mm	20 kNm
2500 kg	1000 mm	25 kNm
3000 kg	1000 mm	30 kNm

Weights [see pg. 15]

STEEL platform		ALU platform	
1750 mm	590 kg	1800 mm	480 kg
2000 mm	640 kg	2000 mm	495 kg

Weights incl. CE bumper

Powerful, robust lift for the intensive distribution



Fitting dimensions

ARM		820	880	940	1000	1100	1200
K max.		1330	1420	1500	1590	1730	1870
C max.		680	730	780	820	900	980
C min.		300	300	350	400	450	500
CO max.		650	690	720	770	830	890
M	at C max.	770	800	835	880	940	1000
M	At C min.	1030	1095	1140	1190	1275	1365



Technical specifications

Lift frame	180 x 180 mm
Cylinders	2 lift cylinders + 2 tilt cylinders
Type of ride [see pg. 8-9]	Wedged platform. Level ride + automatic tilt at ground level
Platform material	Aluminium or steel
Platform overlap under floor	-74 mm
Standard platform depths	Steel: 1750 - 2000 mm (folding: max. 4500) Alu: 1800 - 2000 mm (folding: max. 4500)
Standard platform widths	Steel: 2350 - 2480 - 2500 - 2520 - 2550 mm Alu: free up to 2550 in steps of 5 mm
Lift arm lengths	820 - 880 - 940 - 1000 - 1100 - 1200 mm
Lift arm widths	800 - 1150 - 1300 - 1550 mm (...-2014) 800 - 1200 - 1300 - 1550 mm (2015-...)
Standard control unit [see pg. 11]	OAE030.BT
Standard finish of the lift frame	Hot-dip zinc plated finish [OAT104]