



→ Cantilever lift for trucks, trailers and semi-trailers

DH-LM.20 • 1500 - 2000 kg



The DH-LM.20 is an **extremely versatile medium capacity lift**, suitable for commercial trucks above 7.5T GVW, trailers and semi-trailers.

This powerful 4-cylinder lift is available with reinforced steel platforms or light-weight aluminium platforms up to 2250 mm. Longer platforms are available in combination with lift type DH-LM.30.

Special applications are available: **half width** tail lifts (DH-LMZ), lifts for truck-trailer combinations with **draw-bar** (DH-LV), adaptations for **trailer-coupling mounted between the chassis** beams (arm LMK), for **very short overhang** (DH-LMP) and for **tipper vehicles** (DH-KA).

Lift capacity

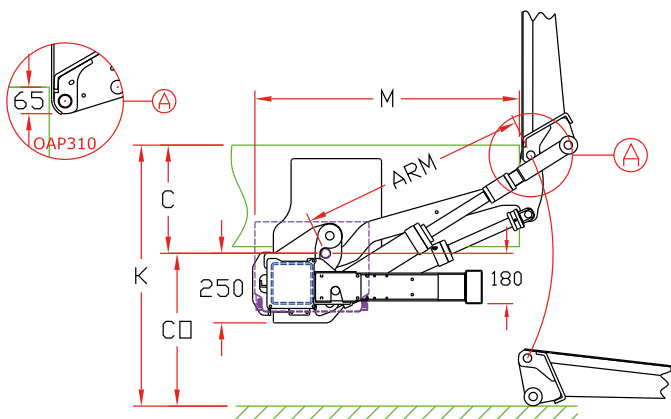
CAP	CG	LM
1500 kg	1000 mm	15 kNm
2000 kg	1000 mm	20 kNm

Weights [see pg. 15]

STEEL platform		ALU platform	
1500 mm	490 kg	1600 mm	400 kg
1750 mm	540 kg	1800 mm	415 kg
2000 mm	585 kg	2000 mm	430 kg

Weights incl. CE bumper

Top seller in the medium capacity range



Fitting dimensions

ARM		760	820	880	940	1000	1100
K max.		1215	1305	1390	1490	1560	1725
C max.		625	675	720	770	815	895
C min.		250	300	350	400	400	450
CO max.		590	630	670	720	745	830
M	at C max.	710	730	770	800	840	900
M	At C min.	960	990	1035	1080	1150	1230

Technical specifications



Lift frame	150 x 150 mm
Cylinders	2 lift cylinders + 2 tilt cylinders
Type of ride [see pg. 8-9]	Wedged platform. Level ride + automatic tilt at ground level
Platform material	Aluminium or steel
Platform overlap under floor	-65 mm
Standard platform depths	Steel: 1500 - 1750 - 2000 mm (max. 2250) Alu: 1600 - 1800 - 2000 mm (max. 2250)
Standard platform widths	Steel: 2350 - 2480 - 2500 - 2520 - 2550 mm Alu: free up to 2550 in steps of 5 mm
Lift arm lengths	760 - 820 - 880 - 940 - 1000 - 1100 mm
Lift arm widths	800 - 1150 - 1300 - 1550 mm (...-2014) 800 - 1200 - 1300 - 1550 mm (2015-...)
Standard control unit [see pg. 11]	OAE030.BT
Standard finish of the lift frame	Hot-dip zinc plated finish [OAT104]