



→ Passenger lift for minibuses and ambulances

DH-LSPH.05 • 500 kg



The DH-LSPH responds to the growing demand for more **robust passenger lifts** with **higher capacity** and **increased platform surface**.

The spacious platform is manufactured from meshed steel, to evacuate rain water, snow, dirt,... very quickly off the platform surface. At the rear end, a 100 mm high **automatic roll-stop** prevents the wheelchair from unintentional rolling off the platform. As an option, the platform can be hot-dip zinc plated and equipped with **safety rails**, foot controls and platform lights.

Adapted **bolt-on mounting plates** are available for most types of minibuses, to enable quick and easy fitting.

Lift capacity

CAP
500 kg

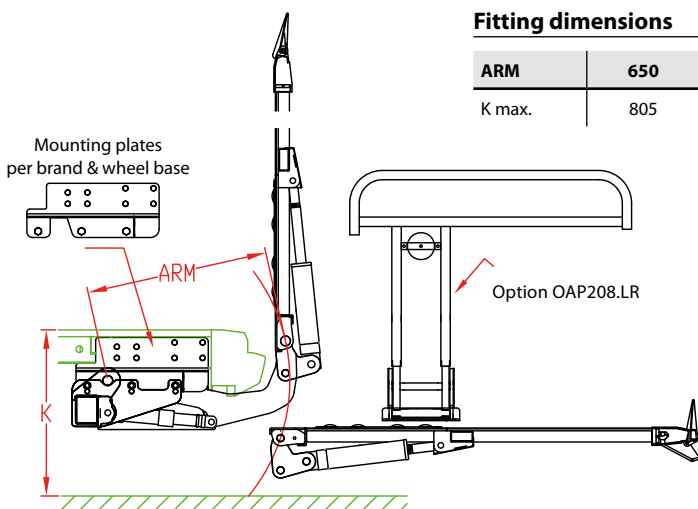
Weights [see pg. 15]

Meshed steel	
1500 mm	190 kg

Heavy duty lift for taxis and ambulances

Fitting dimensions

ARM	650
K max.	805



Technical specifications

Lift frame	100 x 80 mm
Cylinders	2 lift cylinders + 1 tilt cylinder
Type of ride [see pg. 8-9]	Wedged platform. Level ride + automatic tilt at ground level
Platform construction	<ul style="list-style-type: none"> • Meshed steel, powder coated RAL 9010 as standard, hot-dip zinc plating as option (OAT124) • Automatic roll-stops 100 mm high
Safety rails	Option OAP208.LR: 2 rails, left & right, folding manually
Standard platform depths	Steel : 1500 mm Other depths on request (OAP302.S)
Standard platform widths	1300 mm Other widths on request (OAP303)
Standard control unit [see pg. 11]	OAE031.Z
Standard finish of the lift frame	Protection PLUS [OAT102]

Special mounting brackets are available for:

- Citroën Jumper / Relay
- Fiat Ducato
- Ford Transit
- Iveco Daily
- Mercedes Sprinter
- Peugeot Boxer
- Renault Master FWD / Trafic
- Opel Movano FWD / Vivaro
- Volkswagen Crafter / LT
- Nissan NV400 / NV200
- LDV Maxus V80