



→ Passenger lift for Multi Passenger Vehicles, mini- and midi buses and ambulances

DH-CH001.03 • 300 kg



The passenger lift DH-CH001 stows neatly in a sealed cassette box under the loading floor of the vehicle. This solution keeps the **access through the rear doors free** and **occupies no space inside the vehicle**.

The DH-CH is **retracted hydraulically**, the platform point, bridge plate and safety rails are deployed by hand.

Its slim platform (only 20 mm thick) enables wheelchair passengers to embark and disembark with minimal effort.

The cassette is equipped with a full width **aluminium step** with anti-slip profiling, helping operators to step in and out of the vehicle safely.

Lift capacity

CAP
300 kg

Weights [see pg. 15]

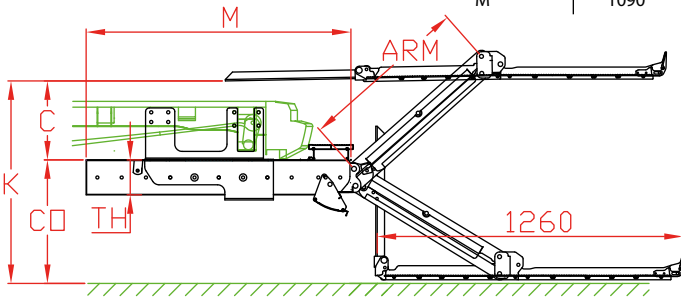
Alu / Alu	
1260x800 mm	170 kg

Short cassette lift with foldable platform



Fitting dimensions

ARM	700
K max.	850
C max.	350
CO max.	500
TH	145
M	1090



Technical specifications

Lift frame	2 lift arms
Cylinders	2 lift cylinders + 2 fixed stabilisers
Retraction in / out	Hydromotor + gear wheel system
Type of ride [see pg. 8-9]	Flat platform, level ride
Platform details	<ul style="list-style-type: none"> • Steel frame + alu infill profiles • Automatic roll-stop at the rear edge of the platform • Bridge plate and toe-guard at the front edge of the platform
Safety rails	2, left & right, folding manually
Standard platform dimensions	1260 x 800 mm
Standard control unit	3-button remote control with spiral cable
Standard finish of the lift frame	KTL epoxy e-coating